

Ezy-Wash® Hob Mounted Pre-Rinse Unit Type 150

Specification Data Sheet



Features

- Support spring in chrome plated steel allows the trigger hose to be pulled into the spraying position and returned back to the washing area when released.
- Stylish pin flick mixer that is compact and easy to use.
- Easy to assemble and adjustable wall bracket.
- Flexible hose TPU inner.
- Main riser pipe in stainless steel, and designed for quick and easy installation.
- Chrome plated finish for easy cleaning and added durability.

To Specify

Pre-rinse units are vital in commercial kitchen restaurants, as many pots are much too large to fit in even the largest of commercial dishwashers. Our range of Ezy-Wash® Pre-Rinse units are designed to clear excess food debris and sauces off dishes before placing them in the commercial dishwashers, and an ergonomic trigger handle allows easy and intuitive use.

Code:

TF150HMP - Ezy-Wash® CP-BS Hob Mtd Single Lever Mixer Pre-Rinse Unit Type 150 Flex Tail - Pot Filler



A family
owned
Australian
business



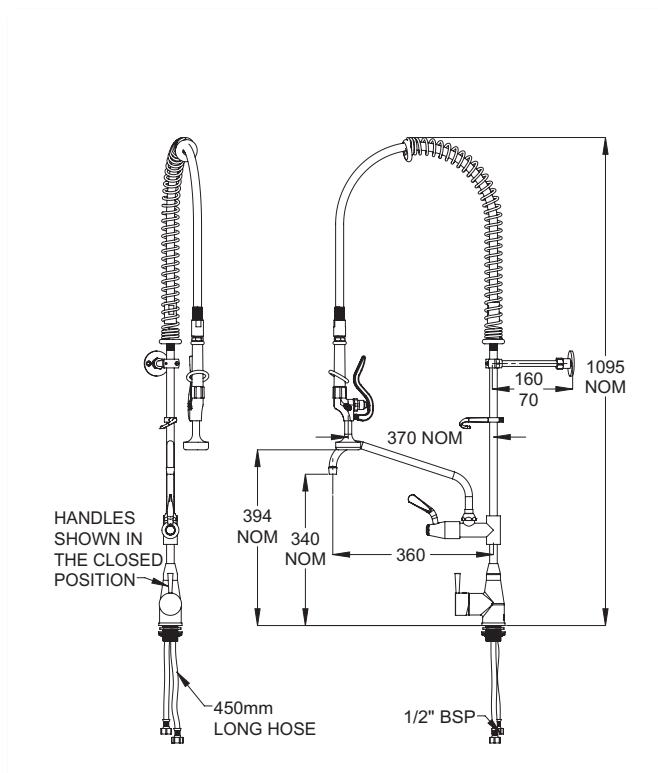
galvinspecialised
commercial taps + fixtures

Performance Standards & Approvals

- AS/NZS 3718 – WaterMark
- WELS 6 Star Rating



Typical Dimensions



Technical Information

- Inlet: 1/2" BSP - Female Flexi Tails
- Outlet: Trigger Spray & Pot Filler
- Headworks: Ceramic Cartridge
- Working Pressure Range (kPa): 100 Min - 500 Max
- Working Temperature Range (°C): 5 Min - 90 Max
- Nominal Flow Rate: 3.5
- Construction: Brass
- Finish: Chrome

Maintenance & Cleaning

Galvin Specialised products should be cleaned with a soft damp cloth using only mild liquid detergent or soap and water. Do not use cleaning agents containing a corrosive acid, scouring agent or solvents. Do not use cream cleaners, as they are abrasive. Use of unsuitable cleaning agents may damage the surface. Any damage caused in this way will not be covered by warranty.

Regular maintenance should be carried out in accordance with the installation and troubleshooting guides provided with the product, relevant Australian Standards, local authorities and state codes.

As part of maintaining a safe and reliable plumbing system, we recommend tapware and valves are operated on at least a daily basis.

Warranty

Galvin Specialised products are covered under our Manufacturer's Warranty at www.galvinengineering.com.au. Galvin Specialised products must be installed in accordance with the installation instructions and in accordance with AS3500 and the PCA, relevant Australian Standards and local authorities applicable to product being installed. Water and electrical supply conditions must also comply to the applicable national and/or state standards, failing to comply with these provisions may void the product warranty and affect performance of the product.

Whilst all reasonable care has been taken in compiling the information in this document, the designs, dimensions and products shown are indicative only and should not be relied upon without our prior approval. Due to our policy of continuous development, we reserve the right to alter any details of specifications or products without notice. All information, drawings, technical specifications and product designs remains the property of Galvin Engineering Pty Ltd.

Within Australia: **1300 514 074** Outside Australia: P: +61 (0)8 9249 5900
 F: +61 (0)8 9249 5916
sales@galvinengineering.com.au
www.galvinengineering.com.au

ABN: 78 008 719 382

PERTH | SYDNEY | MELBOURNE | BRISBANE | ADELAIDE

A business unit of

GalvinEngineering
 the mark of reliability

